

REFERENCE SPECIFICATIONS

-NFC 93425 (in compliance with HE 507)

PHYSICAL CHARACTERISTICS

-INSULATOR MATERIAL: THERMOPLASTIC UL94V0
 -CONTACT MATERIAL: PHOSPHOR BRONZE

-ACCESSORIES: BRASS
 -SHELLS: STEEL

ELECTRICAL CHARACTERISTICS

-NOMINAL CURRENT: 7.5A
 -CONTACT RESISTANCE: <= 7.3 m ohms
 -CONTACT/CONTACT : >=1000 V
 -CONTACT/GROUND : >=1200 V
 -INSULATION RESISTANCE: >=5000 MOhms

ENVIRONMENTAL CHARACTERISTICS

- CLIMATIC CATEGORY: 55/125/21
 TEMPERATURE RANGE -55°C TO +125°C
 DAMP HEAT STEADY STATE 21 DAYS
 SALT SPRAY 48 HOURS

MECHANICAL CHARACTERISTICS

- RETENTION AGAINST TORQUE: - Threaded insert: 0.7 N.m minimum
 - Female screw : 0.5 N.m minimum

NOTE RoHS INFORMATION

- The "LF" products meet european union Directives and other country regulations as described in GS-22-008.
- Termination plating spec:
Ni + Gold
- Active area plating spec:
Ni + Gold
- Shell plating :2 to 4µm Cu + Nickel + 3 to 10µmm Sn,pure bright
- Accessories: Sn pure bright + nickel
- Packaging spec: See GS-14-920

DBL13W3S043A00LF

Series

Shell size: **E A B C D**
 see sheet 2
 Front accessory definition
 see sheet 2

Blank :without accessory
L :threaded insert M3
O :threaded insert UNC 4-40

Layout of contacts (see sheet 3)

Contacts

S :Socket

Plating

Blank signal solder bucket 200 matings/unmatings
O43 signal solder bucket 500 matings/unmatings

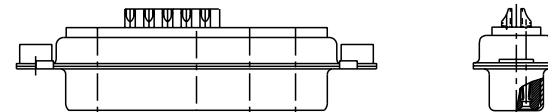
PCB accessory definition

A without accessory on PCB

Power contacts

00 without power contact

See note RoHS



13W3 FOR EXAMPLE

www.fciconnect.com				surface	ISO 1302	tolerance std	ISO 406	ISO 1101	projection	mm	
				TOLERANCES UNLESS OTHERWISE SPECIFIED							
Dr	M PESSON	2005-10-11	ANGULAR	0.X	±0.3	size	A2	Scale	2:1		
Eng	P LEGARE	2005-10-11	LINEAR	0.xx	±0.1	ECN	LS07-0273				
Chr			0° ±2°	0.xxx	±0.05	Spec ref					
Appr			Product family								
rev	ecn no	dr	date								
A	LS05-0101	MPE	2005-10-11								
B	LS06-0208	LGO	2006-12-12								
C	LS07-0273	MPE	2007/10/31								
				FCI SUB FEMALE DW				ang no	C01-8639-2303		Rev. C
				mixed power+solder bucket				CUSTOMER		sheet 1 of 7	
				catalog no							

Copyright FCI, FCI

1 2 3 4 5 6 7 8

A

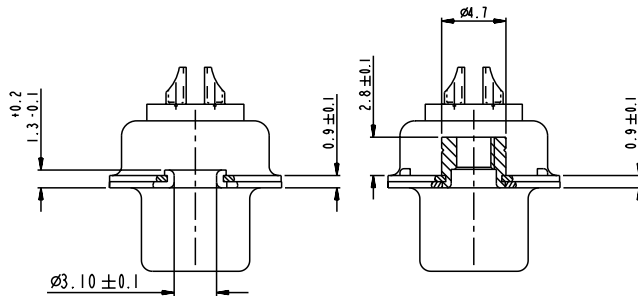
B

C

D

E

F



FRONT ACCESSORY	Blank without	L insert M3
		O insert UNC 4.40
PCB ACCESSORIES	A without	A without

PART NUMBER	MATINGS/ UNMATINGS	FRONT ACCESSORY	PCB ACCESSORIES
D*xWxSA00LF	200	without	without
D*LxWxSA00LF	200	insert M3	without
D*OxWxSA00LF	200	insert UNC 4.40	without
D*xWxS043A00LF	500	without	without
D*LxWxS043A00LF	500	insert M3	without
D*OxWxS043A00LF	500	insert UNC 4.40	without

shell size LAYOUTS

#	xWx
E	5W1
A	11W1
A	7W2
B	21W1
B	17W2
B	13W3
B	9W4
C	25W3
C	21WA4
C	27W2
D	47W1
D	24W7
D	36W4



Copyright FCJ.

www.fciconnect.com		surface ISO 1302	tolerance std ISO 406 ISO 1101	projection mm
		TOLERANCES UNLESS OTHERWISE SPECIFIED		
Dr M PESSON	2005-10-11	ANGULAR	0.X ±0.3	size A2 Scale 2:1
Eng P LEGARE	2005-10-11	LINEAR	0.XX ±0.1	
Chr		0° ±2°	0.XXX ±0.05	ECN LS07-0273
Appr		Product family		Spec ref
FCJ		SUB FEMALE DW		Rev. C
mixed power+solder bucket		catlog no	CUSTOMER	sheet 2 of 7

SCALE : 4

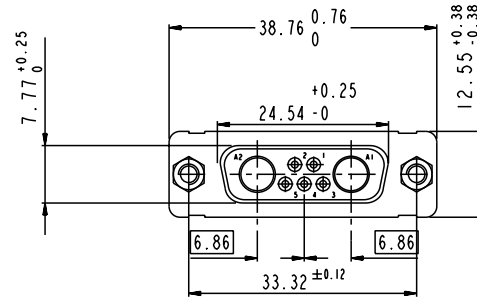
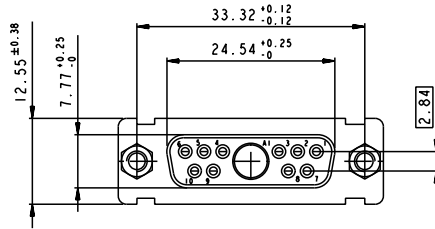
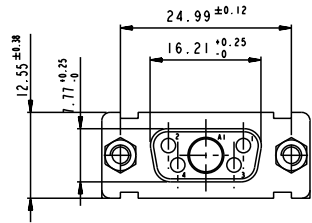
REV 7 - 2006-04-17

1 2 3 4 5 6 7 8

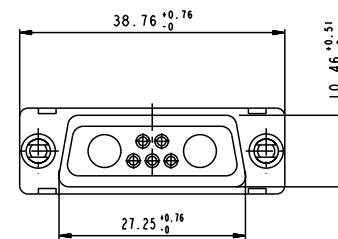
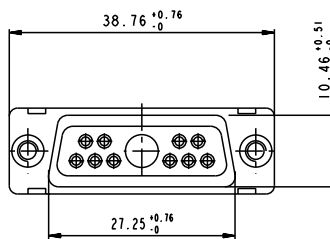
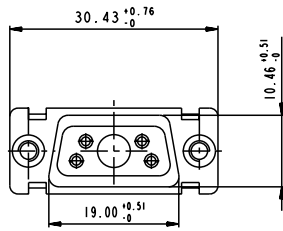
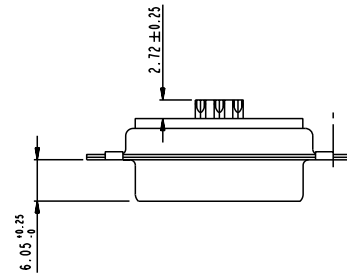
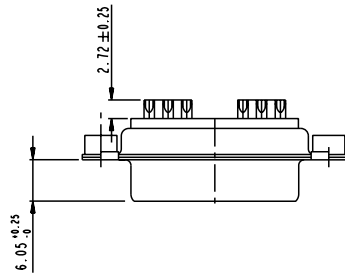
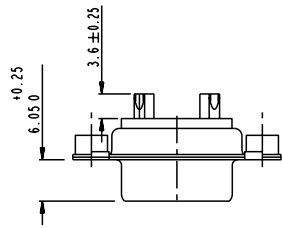
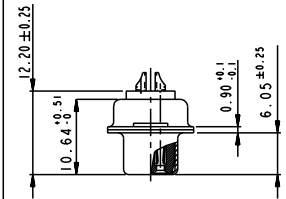
5W1

11W1

7W2



SIDE VIEW FOR LAYOUTS: E A B C



Floating signal contacts



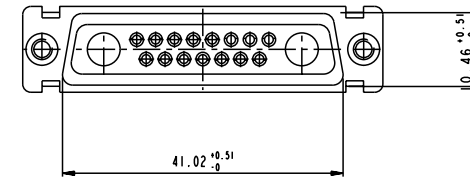
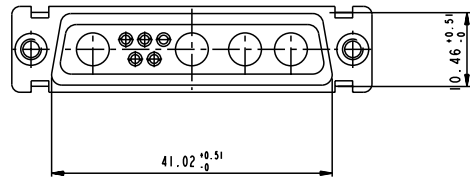
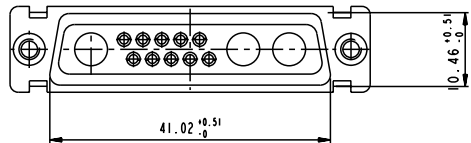
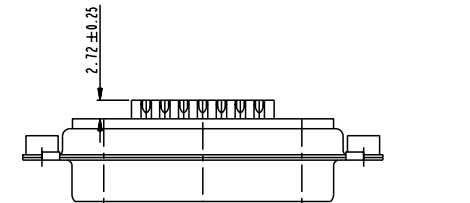
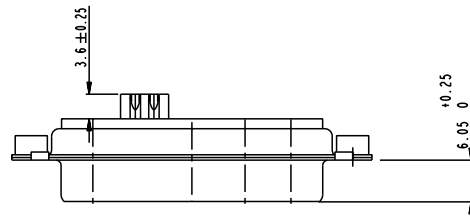
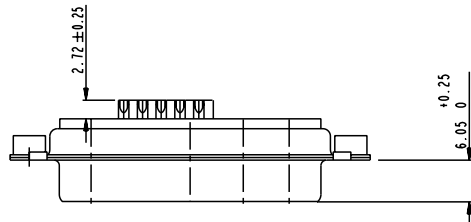
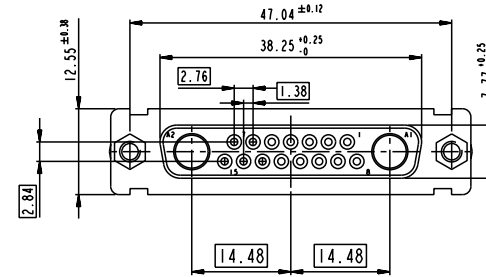
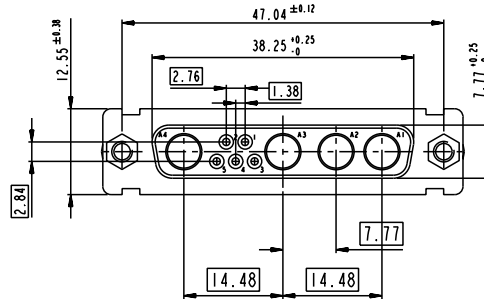
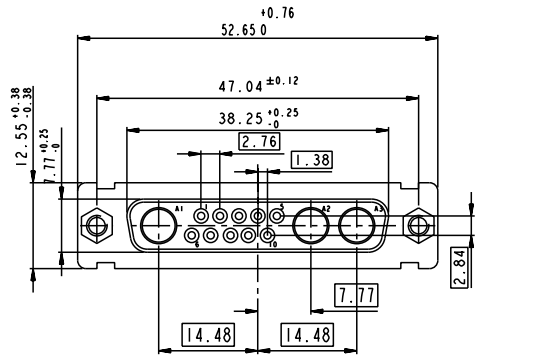
Copyright FCI.

www.fciconnect.com		surface ISO 1302	tolerance std ISO 406 ISO 1101	projection mm
		TOLERANCES UNLESS OTHERWISE SPECIFIED		
Dr M PESSON	2005-10-11	ANGULAR	0.X ±0.3	size A2 Scale 2:1
Eng P LEGARE	2005-10-11	LINEAR	0.XX ±0.1	ECN LS07-0273
Chr		0° ±2°	0.XXX ±0.05	Product family - Spec ref
Appr		Product family		
FCI		SUB FEMALE DW		Rev. C
mixed power+solder bucket		cat no	C01-8639-2303	
catalog no		CUSTOMER		sheet 3 of 7

13W3

9W4

17W2



Floating signal contacts



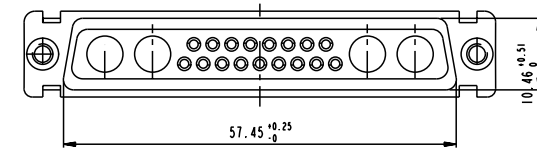
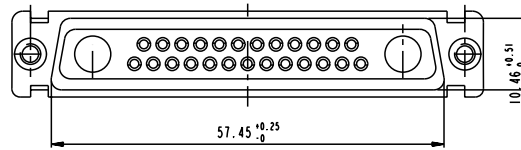
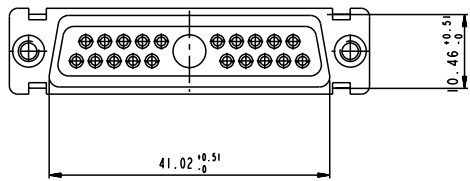
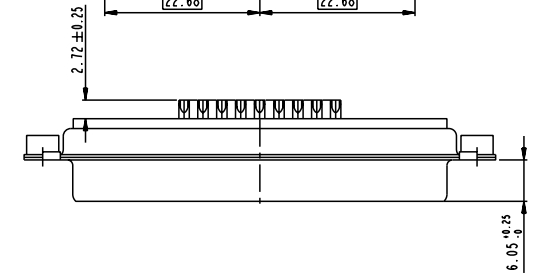
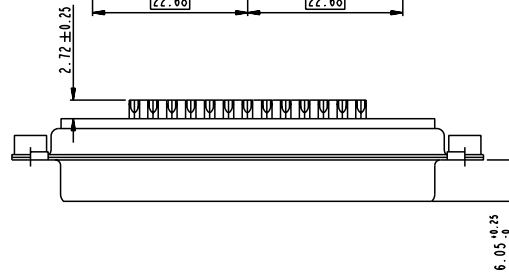
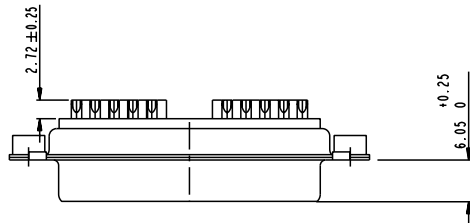
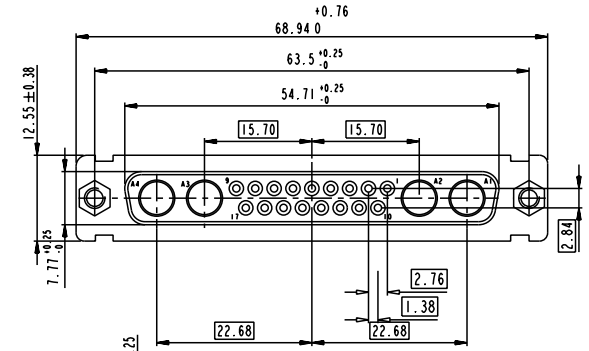
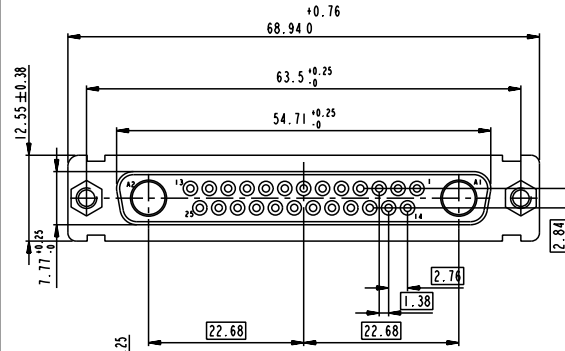
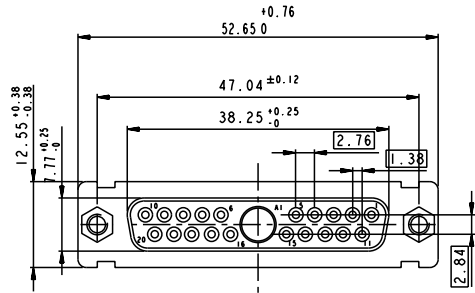
Copyright FCJ.

www.fciconnect.com		surface ISO 1302	tolerance std ISO 406 ISO 1101	projection mm
		TOLERANCES UNLESS OTHERWISE SPECIFIED		
Dr M PESSON	2005-10-11	ANGULAR	0.X ±0.3	size A2 Scale 2:1
Eng P LEGARE	2005-10-11	LINEAR	0.XX ±0.1	ECN LS07-0273
Chr		0° ±2°	0.XXX ±0.05	Spec ref
Appr		Product family		
SUB FEMALE DW mixed power+solder bucket catalog no		ang no C01-8639-2303	Rev. C	sheet 4 of 7

21W1

27W2

21WA4



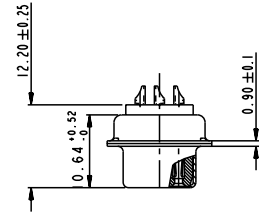
Copyright FCI.
REV 7 - 2006-04-17

www.fciconnect.com		surface ISO 1302	tolerance std ISO 406 ISO 1101	projection mm
		TOLERANCES UNLESS OTHERWISE SPECIFIED		
Dr M PESSON	2005-10-11	ANGULAR	0.X ±0.3	size A2 Scale 2:1
Eng P LEGARE	2005-10-11	LINEAR	0.XX ±0.1	ECN LS07-0273
Chr		0° ±2°	0.XXX ±0.05	Spec ref
Appr		Product family		
FCI SUB FEMALE DW		mixed power+solder bucket		Rev. C
catalog no		C01-8639-2303		sheet 5 of 7
		CUSTOMER		

25W3

24W7

SIDE VIEW FOR
LAYOUT: D



A

B

C

D

E

F

A

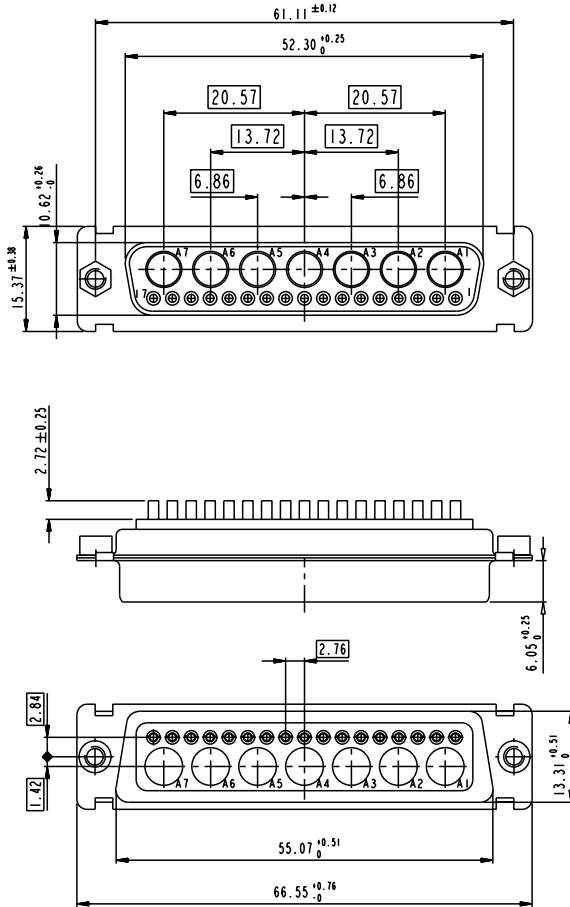
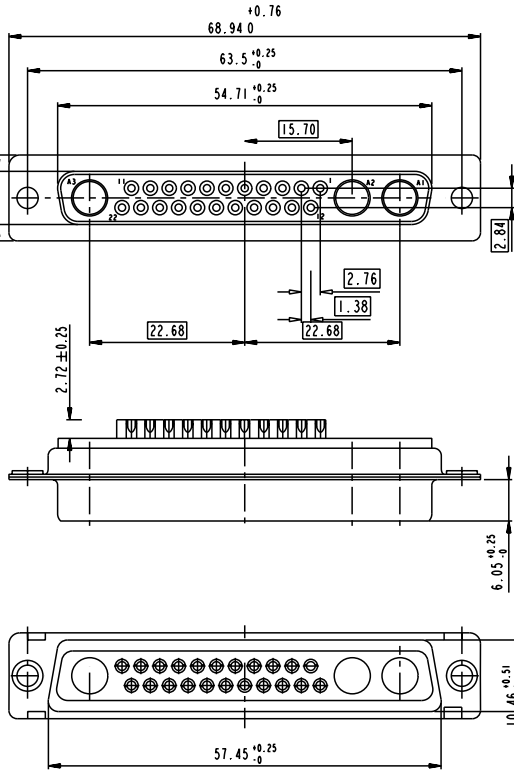
B

C

D

E

F

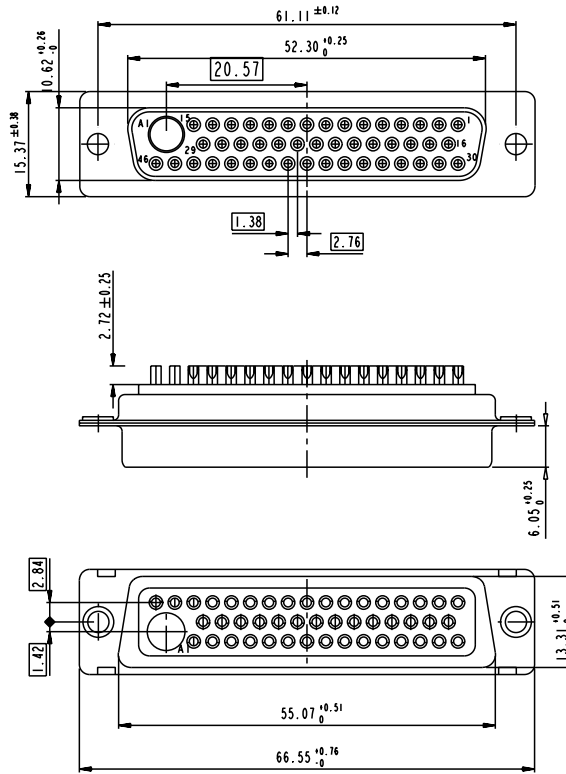
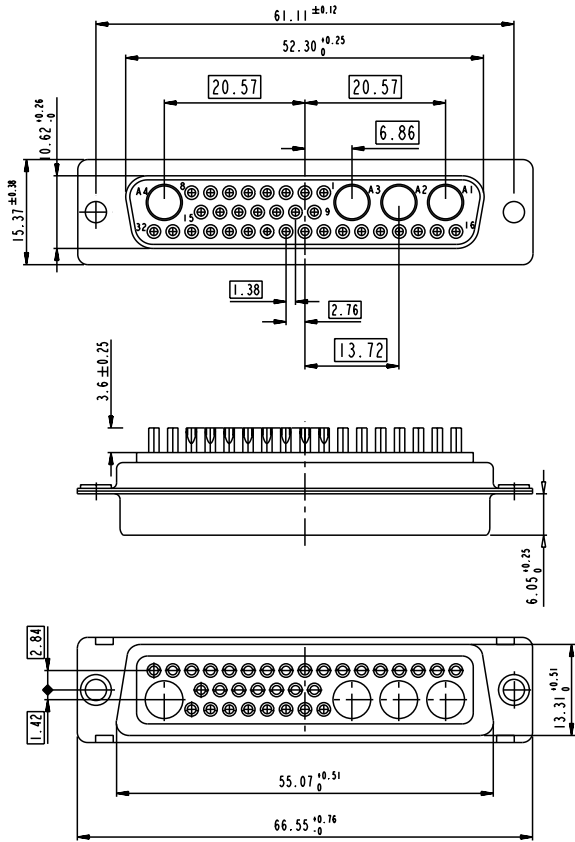


www.fciconnect.com		surface ISO 1302	tolerance std ISO 406 ISO 1101	projection mm
		TOLERANCES UNLESS OTHERWISE SPECIFIED		
Dr M PESSON	2005-10-11	ANGULAR	0.X ± 0.3	size A2 Scale 2:1
Eng P LEGARE	2005-10-11	LINEAR	0.XX ± 0.1	ECN LS07-0273
Chr		0° ± 2°	0.XXX ± 0.05	Spec ref
Product family				
SUB FEMALE DW mixed power+solder bucket catalog no		title C01-8639-2303 customer	rev. C sheet 6 of 7	

Copyright FCI.

36W4

47W1



Floating signal contacts

Copyright FCI.

www.fciconnect.com		surface ISO 1302	tolerance std ISO 406 ISO 1101	projection mm
		TOLERANCES UNLESS OTHERWISE SPECIFIED		
Dr M PESSON	2005-10-11	ANGULAR	0.X ±0.3	size A2 Scale 2:1
Eng P LEGARE	2005-10-11	LINEAR	0.XX ±0.1	
Chr		0° ±2°	0.XXX ±0.05	ECN LS07-0273
Appr		Product family	-	Spec ref
FCI		SUB FEMALE DW		Rev. C
		mixed power+solder bucket		001-8639-2303
		CUSTOMER		sheet 7 of 7